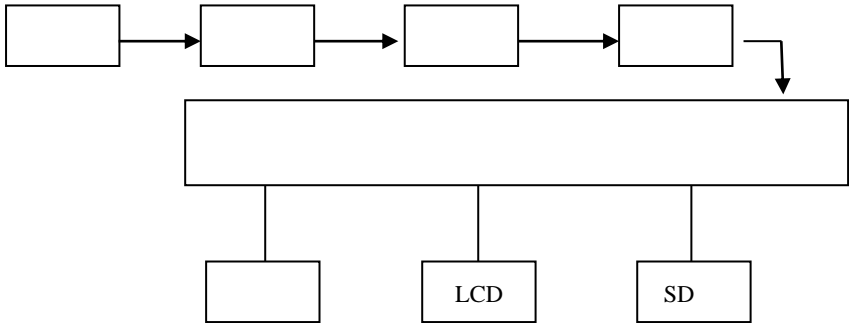
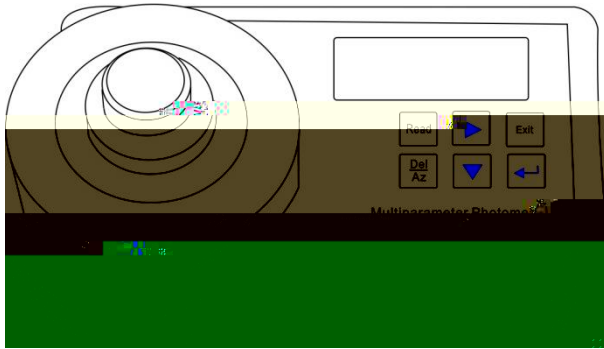
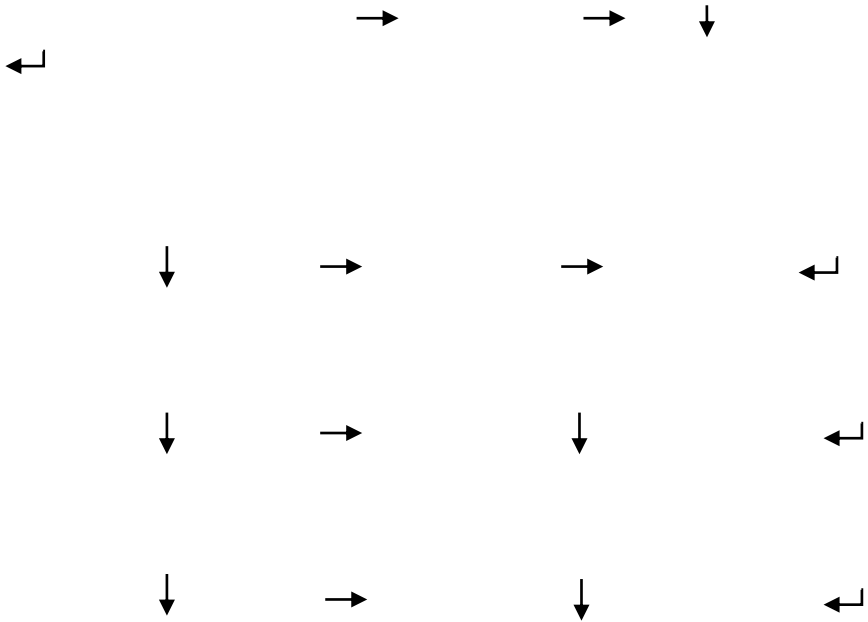

V3.40-20201127

1





SD



COD	NH3N	TN
TP		

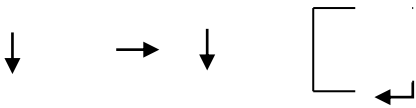
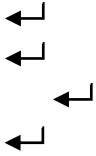
COD_1		COD
LR	HR	HR+

USER1		COD
LR	HR	HR+





Test
WKC Formula







58 H 4

0512-65733561

0512-65733562

www.harveson.com.cn